



Value Life

ENTERAL



Introducing  
The MIC-KEY Advantage

# Why Vygon?

Choosing your partner for enteral feeding devices is a crucial decision

You need to deliver the highest standards of care and improve patient outcomes when we know you have fewer resources.

This brochure is a reference guide for the complete MIC & MIC-KEY enteral feeding tubes and accessories ranges.

We outline the five criteria you need to consider when choosing enteral feeding devices.

In addition, we demonstrate why Vygon is best placed to be your preferred enteral device supplier by introducing you to the **MIC-KEY Advantage**.

Throughout this brochure we refer to MIC & MIC-KEY feeding tubes. MIC feeding tubes are non-low profile and MIC-KEY feeding tubes are low profile or button devices.



# Introducing The MIC-KEY Advantage

The MIC-KEY Advantage shows why Vygon is the partner of choice for so many healthcare providers

The following five selection criteria evolved throughout the last 20 years whilst we've worked with clinicians as well as their patients living with enteral feeding tubes.



**First-rate patient experience**



**Excellent value for money**



**Outstanding service**



**Engaging education**



**Compelling evidence**

# First-rate patient experience

Ease of use, comfort and effectiveness are key to Vygon's MIC & MIC-KEY feeding tubes and accessories. Supporting the excellent product range is our outstanding level of service

## Getting it right from the start

The MIC-KEY Introducer Kit facilitates the primary insertion procedure for placing any MIC or MIC-KEY balloon retained feeding tube. This avoids a second procedure and so reduces the time spent in hospital, exposure to sedatives and analgaesics and improves the patient experience by placing the desired MIC or MIC-KEY feeding tube from the outset. For more details on our MIC-KEY Introducer Kits, see page 14.

## A wide and varied range

Every patient's requirements are unique and you have to care for people with a variety of conditions including complex cases. As a result, you need a choice of enteral feeding tubes to meet the varied needs of a broad spectrum of patient conditions.

Vygon's MIC & MIC-KEY range of feeding tubes and accessories includes the widest range of balloon retained enteral feeding tubes on the market to meet the feeding, hydration and venting requirements of your patients.

## Trust us to support your patients

We know the transition to enteral feeding can be challenging for patients.

You can be sure that the MIC & MIC-KEY range can help you make the change as smooth as possible.





## MIC-KEY G-tubes

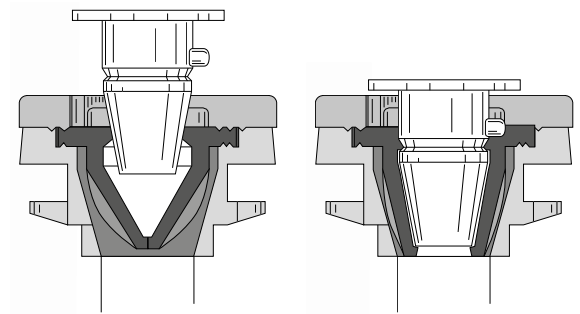
MIC-KEY G-tubes are the most trusted gastrostomy feeding tubes on the market. They are:

- Used by more clinicians and patients than any other brand
- Supported by a large body of clinical evidence which consistently shows high patient satisfaction with low adverse events, such as granulation
- Discreet, robust and reliable feeding devices, encouraging patient freedom, mobility and improving the quality of life.



## The MIC-KEY Valve

The MIC-KEY valve is made as a separate component from the main injection mould and encased in a solid plastic case that is designed with a central ridge. This plastic casing with perforations acts like an anchor and provides further stability to the valve.



## Vygon Home Delivery

For discharged patients in the care of the community nursing teams, Vygon's Home Delivery service offers flexible delivery options. The aim of the dedicated **Manage My Delivery** service is to allow patients, families or carers to receive their replacement feeding tubes at a time that suits them.

To watch our short video *Vygon - Manage My Delivery* visit [bit.ly/ManageMyDelivery](https://bit.ly/ManageMyDelivery)



# Excellent value for money

## Benefit from redefining primary MIC & MIC-KEY Feeding Tube insertion

The MIC & MIC-KEY Introducer Kit facilitates the primary insertion of all MIC & MIC-KEY balloon feeding tubes removing the need for a second procedure. The alternative is to follow an initial PEG tube placement with a further procedure to remove the PEG tube and insert the MIC or MIC-KEY feeding tube.

Using the MIC & MIC-KEY Introducer Kit frees up time in endoscopic and interventional radiology suites for other treatments, improving patient throughput as well as achieving higher tariff incomes with higher value procedures.

For more details on our MIC-KEY Introducer Kits, see page 14.



## Our rewarding Home Delivery service

Success in preventing hospital readmissions for community nursing teams providing care for patients in the comfort of their own homes is well documented. The Vygon Home Delivery service is designed to support both patients and community nursing teams by ensuring the right product is available to the right patient at the right time, whilst avoiding additional cost.

Customers may be eligible for VAT free pricing for MIC & MIC-KEY products delivered directly to a patient's home, leading to a potential cost saving of 20%.<sup>†</sup>

There is no additional cost for using Vygon's Home Delivery service for standard deliveries.

## Benefit from Vygon's commercial solutions

Vygon works with NHS procurement teams to achieve the best possible deal for customers. We are keen to work with you to achieve your commercial objectives as well as your clinical needs. Do talk to us about your requirements. Whether you are looking for a solution that delivers a rebate for growth, up front pricing or flexible contract terms, we can offer terms to suit you.

## Valuable education and training

We offer customers a vast range of education and training resources aimed at helping to deliver the best possible patient care. You can access what you need when you want it plus you can take advantage of our renowned gastrostomy study days held in venues across the UK. It is our way of making sure we are on top of enteral feeding issues affecting both clinicians and patients.

<sup>†</sup> Subject to current VAT rates and legislation at the time of ordering.



## Exchange policy

When the weight and shape of a patient fluctuates, sometimes the spare feeding tube they have may no longer be the right size.

Vygon will exchange any device for a correctly sized version where a minimum of 12 months shelf life remains and the packaging is undamaged and suitable for resale. This avoids wastage and unnecessary expense.

## Unit price

The price for your MIC & MIC-KEY devices is what you pay. There are no additional costs. All training resources and support materials are available as part of the service level we have agreed with you.



# Outstanding service

As customers we know you value a company that is easy to do business with. You want to be able to get hold of the right person when you need them – whether you are based in a hospital or in the community

## Dedicated Sales Executives

We have a team of Sales Executives based throughout the UK all supported by a Sales Manager. Your Sales Executive is dedicated to providing you with the highest level of knowledge and expertise on all aspects of the MIC & MIC-KEY range including sales, training and service.

For contact details of your local Sales Executive:

 [vygon@vygon.co.uk](mailto:vygon@vygon.co.uk)

 **01793 748800**

## Technical Team

Vygon's UK-based tube laboratory and Technical team provides direct support to customers with technical or procedural enquiries as well as regulatory matters. This unique local resource enables the Technical team to deliver prompt advice and solutions. We are proud of their reputation for attention to detail, which they achieve by dealing with each enquiry individually.

 [technical@vygon.co.uk](mailto:technical@vygon.co.uk)

 **01793 748940**



## Customer Services

Dedicated to answering all your questions around product orders, our Customer Services team is on hand to make sure you get what you need when you want it.

 [customerservice@vygon.co.uk](mailto:customerservice@vygon.co.uk)

 **01793 748900**

## Confidentiality of patient information

We take our responsibility to protect the contact details of our home delivery patients very seriously. To ensure we keep our promise, we have completed the Information Governance Toolkit assessment. This enables us to measure our compliance against the law and central guidance and to see that information is handled correctly and protected from unauthorised access, loss, damage and destruction.

As a result, Vygon can demonstrate we can be trusted to maintain the confidentiality and security of personal information.







## Home Delivery Team

Our Home Delivery Team is dedicated to providing logistical support for community teams by managing the process of getting MIC & MIC-KEY enteral devices directly into patients' homes.

With more than 4,500 patients in the UK relying on our Home Delivery service, we have built a reputation for consistency in getting the right product to the right place at the right time. It means we avoid disruption to family life and it ensures there is one less thing to worry about.

 [homedelivery2@vygon.co.uk](mailto:homedelivery2@vygon.co.uk)

 01793 748911



In 2016, Vygon UK introduced our **Manage My Delivery** service allowing patients receiving MIC & MIC-KEY feeding tubes in the community the ability to adjust their deliveries to time slots that are convenient to them. The outcome is fewer failed deliveries, less distress and inconvenience to patients as well as the potential to reduce the burden on community nursing teams.

## Supporting literature

Our marketing department have a range of Care & User Guides and a handy Troubleshooting Guide available to order. To order, contact your local Sales Executive or alternatively you can contact marketing directly.

 [marketing@vygon.co.uk](mailto:marketing@vygon.co.uk)

 01793 748830



# Engaging education and training

We know that access to up-to-date information and education resources is vital to support patients and healthcare professionals



From local training and education sessions facilitated by your local Sales Executive, to peer led gastrostomy study days, there are plenty of options to gain the 'hands on' experience to ensure your knowledge and skills are up-to-date.

We have created a dedicated landing page on our website for the MIC & MIC-KEY range to share product and service updates. It is also the gateway to training and education resources [www.bit.ly/VygonENFit](http://www.bit.ly/VygonENFit)

To keep you up-to-date with the latest information about digestive health topics and current issues, we send regular email bulletins and newsletters. To be added to our mailing list please email [marketing@vygon.co.uk](mailto:marketing@vygon.co.uk) with your details explaining that you are interested in our MIC & MIC-KEY enteral range.



Our renowned gastrostomy study days are open to all MIC & MIC-KEY customers. Held throughout the year at venues across the UK, they provide a unique platform of peer led presentations, practical sessions and workshops to address current issues as well as the opportunity to network with fellow professionals. All we ask for is a small donation for our nominated charities, PINNT and CHAS, to support patients needing enteral and parenteral nutrition.

To find out about our next gastrostomy study day please contact [marketing@vygon.co.uk](mailto:marketing@vygon.co.uk).



Children's Hospice Association Scotland  
Sharing the Caring

# Compelling clinical evidence

Can your enteral device supplier provide the evidence to support their claims?



Vygon UK can demonstrate a solid record of clinical evidence using MIC & MIC-KEY feeding tubes, providing you with an objective understanding of the unique properties of the product range as well as dismissing some of the myths surrounding enteral feeding devices.

Here is the proof:

- Demonstrated in multiple large, non-industry supported studies <sup>1</sup>
- MIC-KEY button low profile feeding tubes are the most studied tubes of their type, including the highest number of implants, patients, centres and countries <sup>2</sup>
- More than 20 years of clinical research showing dependable performance
- Consistently high patient satisfaction with low adverse events, such as granulation and pain on insertion and removal.

To help you navigate the clinical data, we have summarised the evidence via clinical compendiums for low profile gastrostomy feeding tubes and primary insertion techniques of balloon retained feeding tubes.



<sup>1</sup> PubMed indexed, published in English for on-label use, searched March 2013

<sup>2</sup> Clinical compendium – Low profile gastrostomy feeding tubes

# Living with enteral feeding

The transition to enteral feeding is a big step for both patients and their families

The right enteral feeding equipment and nutrition regime can transform a person's life but it can take time to come to terms with the change. The MIC & MIC-KEY range of products and accessories makes the transition process easier so that successful feeding can be established more quickly.

Placing the MIC & MIC-KEY feeding tubes using the innovative Introducer Kits gets patients off to the best possible start by inserting them safely with just one procedure. The MIC & MIC-KEY Gastrostomy, Gastro Jejunal and Transgastric Jejunal feeding tubes facilitate the delivery of the enteral nutrition your patient needs for the long term. It's a complete range to give you the confidence you are providing the best possible care.

## Our product range

A quick glance at our product range and where in this brochure you can find them:

Page 14 MIC & MIC-KEY Introducer Kits

Page 16 MIC-KEY G-Tube

Page 20 MIC-KEY Extension Sets

Page 22 MIC Gastrostomy Bolus and MIC Gastrostomy (MIC G-Tubes) Feeding Tubes

Page 24 MIC Gastro-Jejunal and MIC-KEY Gastro-Jejunal (GJ) Feeding Tubes

Page 28 MIC & MIC-KEY Transgastric Jejunal (TJ) Feeding Tubes

Page 30 MIC Surgical Jejunostomy Feeding Tube



**"The MIC-KEY was huge in terms of improving the quality of my life. It's about freedom and mobility."**

Rick D  
Avid hiker and surfer



# MIC & MIC-KEY Introducer Kits

Redefining fluoroscopic, endoscopic and laparoscopic primary enteral feeding tube placement

## Intuitive tools for ease of use

### One convenient kit

Allows the placement of all MIC & MIC-KEY G, GJ and TJ balloon retained enteral feeding tubes from 12Fr to 20Fr

### Uniquely designed components

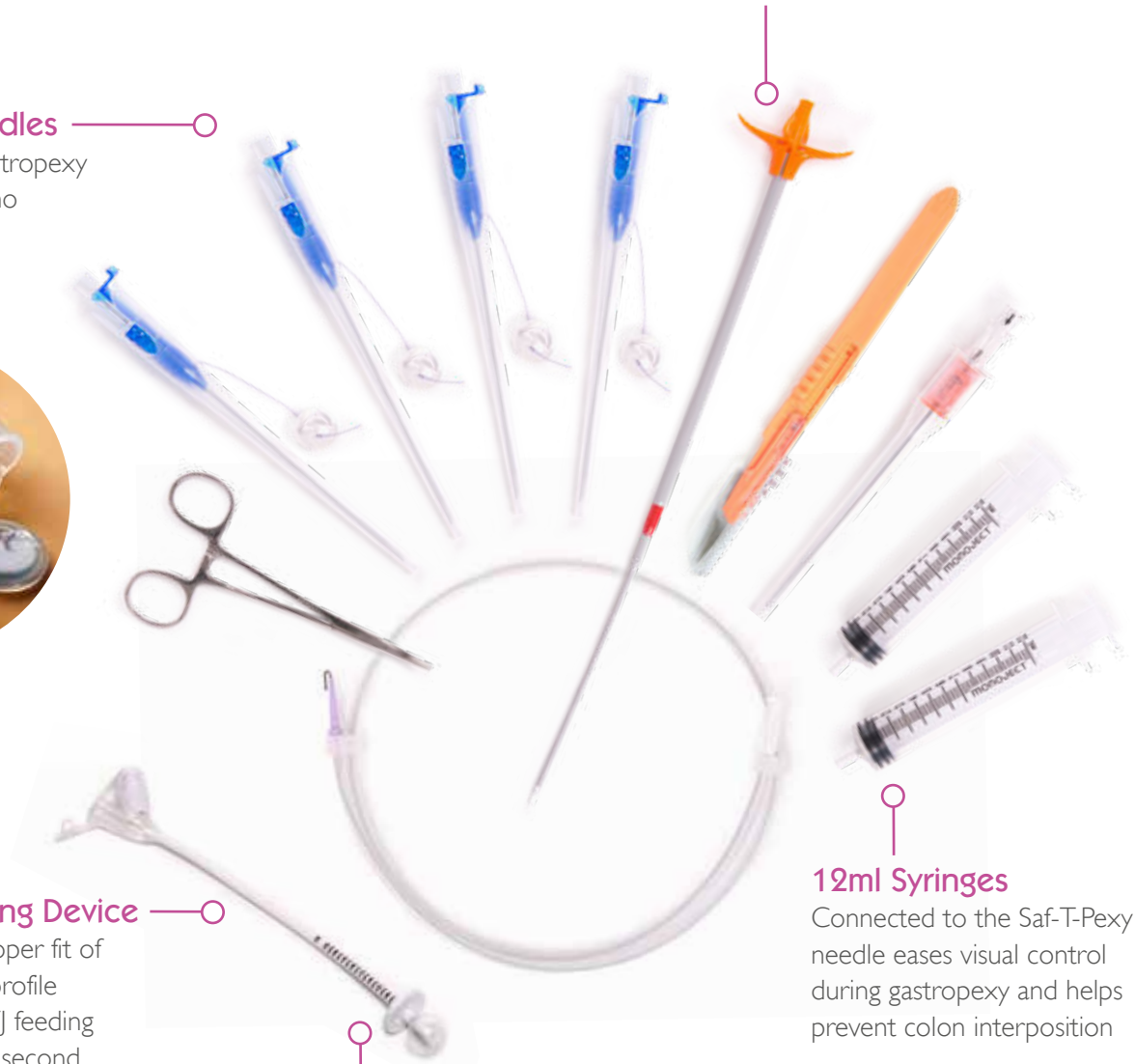
Preventing sharps injuries with sharpsafe Saf-T-Pexy needles, safety scalpel and safety stoma needle

### Serial Dilator

With integrated peel away sheath. Helps to avoid stomach decompression by adding multiple sequential dilator passes and maintains visualisation throughout procedure. One time insertion of the serial dilator prevents guidewire dislodgement

### Saf-T-Pexy Needles

Four preloaded gastropexy sutures, therefore no extra manipulation avoiding potential needlestick injuries



### Stoma Measuring Device

Allows safe and proper fit of the MIC-KEY low profile gastrostomy, GJ & TJ feeding tubes, preventing a second general anaesthesia in children

Also available on its own. Code: VCK9846001

### External plate

Allows precise measurement of the stoma length resulting in a secure fit

### 12ml Syringes

Connected to the Saf-T-Pexy needle eases visual control during gastropexy and helps prevent colon interposition

## Improved patient experience

- Absorbable suture, monofilament which reduces risks of infection and eliminates the need for suture removal
- Suture lock can be adjusted bidirectionally during application, prior to final closure, which helps prevent post-procedural pain
- Easy to clean, smooth rounded polyurethane bolster as suture lock. This promotes patient hygiene and improved patient comfort
- Avoids passage of tube via mouth. Reduced risk of seeding in head and neck cancer patients
- Initial placement of balloon tube prevents readmission to the hospital for replacement, improving the patient experience and providing a financial saving.

## Clinical evidence

Solid record of clinical outcomes using MIC & MIC-KEY Introducer Kits (Vygon clinical compendium available).

## Introducer Kit Contents

4 x Saf-T-Pexy T-fasteners	1 x No 11 safety scalpel
1 x Forceps	1 x Serial dilator
1 x 18G safety introducer needle	2 x 12ml Syringes
1 x 0.035inch J-tip guidewire	1 x Over-the-wire stoma measuring device

## MIC & MIC-KEY Introducer Kit

Complete kit for the insertion of Vygon MIC & MIC-KEY balloon retained feeding tubes from 12Fr to 20Fr

Vygon Code	NHS Supply Chain Code	Description	Unit of sale
VKC98430	FWM2162	MIC & MIC-KEY G 12Fr Introducer Kit - Includes 16Fr Dilator <sup>†</sup>	1
VKC98431	FWM2169	MIC & MIC-KEY G 14Fr Introducer Kit - Includes 18Fr Dilator <sup>††</sup>	
VKC98432	FWM2170	MIC & MIC-KEY G 16Fr Introducer Kit - Includes 20Fr Dilator	
VKC98433	FWM2171	MIC & MIC-KEY G 18Fr Introducer Kit - Includes 22Fr Dilator	
VKC98434	FWM2172	MIC & MIC-KEY G 20Fr Introducer Kit - Includes 24Fr Dilator	
VKC98437	FWM2173	MIC & MIC-KEY GJ and TJ 16Fr Introducer Kit - Includes 20Fr Dilator	
VKC98438	FWM2174	MIC & MIC-KEY GJ and TJ 18Fr Introducer Kit - Includes 22Fr Dilator	
VCK9846001	FWM383	Stoma Measuring Device	10

<sup>†</sup> Can also be used for primary insertion of MIC Transgastric Jejunal Feeding tube (MICTJ) 12Fr

<sup>††</sup> Can also be used for primary insertion of MIC & MIC-KEY Transgastric Jejunal Feeding tube (MICTJ & MIC-KEY TJ) 14Fr

Please note that the MIC & MIC-KEY Introducer Kits do not include a feeding tube within the box. The balloon device is a stoma measuring device for placing low profile MIC & MIC-KEY feeding tubes.

## Indications for adults:

Active adults in need of long-term tube feeds:

- Mechanical problems:
  - Head and neck malignancy
  - ENT tumours
  - Oesophageal malignancy
- Neurological problems:
  - Stroke
  - Multiple sclerosis, amyotrophic lateral sclerosis
- Other:
  - Leukaemia
  - Cystic fibrosis
  - Malnutrition.

## Indications for children:

Active children in need of long-term tube feeds, that can benefit from a low profile gastrostomy tube:

- Neurological impairment
- Metabolic diseases
- Cardiac conditions with disturbed swallowing reflex
- ENT pathologies: e.g. lip malformations with swallowing problems
- Cancer patients prior to treatment
- Heart transplant patients.

# MIC-KEY G-Tube

The most trusted gastrostomy feeding tube

MIC-KEY G-Tubes are designed for the delivery of enteral nutrition, medication and fluids to the stomach via a primary or pre-existing gastrostomy stoma for children and adults

## Radiopaque striping

Allows clear fluoroscopic visualisation during initial placement



## Recessed atraumatic tip

Prevents irritation of the opposite stomach wall and allows the balloon to invert within the shaft of the tube reducing discomfort on removal



## High performing anti-reflux valve

Prevents backflow of gastric contents

## Tapered distal tip matching tube size

Allows easy, atraumatic insertion without stiffener

## Sits at skin level

Easy to conceal for greater device discretion



## Robust design

Whilst soft and comfortable, the design of the external bolster reduces the rocking motion which avoids stomal funnelling, supports uniform, symmetrical stoma development and reduces complications

## MIC-KEY Stoma Measuring Device

A secure fit minimises leakage and associated complications



## Available in the Introducer Kit and also in packs of 10

See page 15 for more information.  
See page 18 for Instructions for Use.



- ✓ Used by more clinicians and patients than any other brand
- ✓ A large body of clinical evidence
- ✓ Consistently showing high patient satisfaction with low adverse events such as granulation
- ✓ The single step placement procedure with the MIC-KEY Introducer Kit reduces patient exposure to anaesthetics, operating room time and the potential for complications
- ✓ Allows a smooth insertion, even without stiffener

## MIC & MIC-KEY Introducer Kit

The only low profile balloon retained enteral feeding device indicated for primary insertion

More information on page 14



## MIC-KEY Extension Sets

### ENFit™ feeding connector

Allows a reliable screw connection to the enteral feeding sets whilst minimising risk of misconnection

### SECUR-LOK connector

Fits perfectly into the MIC-KEY feeding port without damaging the anti-reflux valve

### Two extension sets available in each kit†

Useful for continuous or bolus feeding and/or hydration

More information on pages 20 & 21



## Balloon Gastrostomy Replacement Pack

Facilitates the exchange of balloon retained gastrostomy tubes

Vygon Code	NHS Supply Chain Code	Description	Unit of Sale
080199521	FWM1497	Balloon Gastrostomy Replacement Pack	40



## Continued overleaf...

† Refers to MIC120.xx.yy and VKC8140-xxxx codes (xx = stoma gauge, yy = stoma length)

# MIC-KEY G-Tube

The most trusted gastrostomy feeding tube

## How to measure the stoma tract and select the right sized MIC-KEY Button

1. Lubricate the stoma measuring device with aqueous lubricant.
2. Place the patient in the prone position for first stoma measurement.
3. Advance the measuring device into the stoma. Note likely size of stoma length when deciding how far to push the measuring device into the stoma.
4. Inflate the balloon with 5ml of water:
5. Pull the measuring device gently upwards until it stops and advance the disc to external stomach wall.
6. Read above the disc for shaft length.
7. If possible, place patient into sitting position and measure the stoma length again.
8. Take an average of the two measurements or use the longer measurement if appropriate.
9. Select appropriate size of MIC-KEY Button from this table.



MIC-KEY G-Tube Kits		Single MIC-KEY G-Tube only		Fr Size (OD)	Stoma Length	Balloon Volume	Unit of sale
Vygon Code	NHS Supply Chain Code	Vygon Code	NHS Supply Chain Code				
VKC8140-1208	FWM2457	MIC21201208	FWM1217	12Fr	0.8cm	3-5ml	1
VKC8140-1210	FWM2458	MIC21201210	FWM1218		1.0cm		
VKC8140-1212	FWM2459	MIC21201212	FWM1219		1.2cm		
VKC8140-1215	FWM2460	MIC21201215	FWM1220		1.5cm		
VKC8140-1217	FWM2461	MIC21201217	FWM1221		1.7cm		
VKC8140-1220	FWM2462	MIC21201220	FWM1222		2.0cm		
VKC8140-1223	FWM2463	MIC21201223	FWM1223		2.3cm		
VKC8140-1225	FWM2464	MIC21201225	FWM1224		2.5cm		
VKC8140-1227	FWM2465	MIC21201227	FWM1225		2.7cm		
VKC8140-1230	FWM2466	MIC21201230	FWM1226		3.0cm		
VKC8140-1235	FWM2467	MIC21201235	FWM1227		3.5cm		
VKC8140-1240	FWM2468	MIC21201240	FWM1228		4.0cm		
VKC8140-1408	FWM2469	MIC21201408	FWM1148		14Fr		
VKC8140-1410	FWM2470	MIC21201410	FWM1149	1.0cm			
VKC8140-1412	FWM2471	MIC21201412	FWM1150	1.2cm			
VKC8140-1415	FWM2472	MIC21201415	FWM1151	1.5cm			
VKC8140-1417	FWM2473	MIC21201417	FWM1152	1.7cm			
VKC8140-1420	FWM2474	MIC21201420	FWM1153	2.0cm			
VKC8140-1423	FWM2475	MIC21201423	FWM1154	2.3cm			
VKC8140-1425	FWM2476	MIC21201425	FWM1155	2.5cm			
VKC8140-1427	FWM2477	MIC21201427	FWM1156	2.7cm			
VKC8140-1430	FWM2478	MIC21201430	FWM1157	3.0cm			
VKC8140-1435	FWM2479	MIC21201435	FWM1158	3.5cm			
VKC8140-1440	FWM2480	MIC21201440	FWM1159	4.0cm			
VKC8140-1445	FWM2481	MIC21201445	FWM1160	4.5cm			
VKC8140-1450	FWM2482	MIC21201450	FWM1161	5.0cm			

MIC-KEY G-Tube Kits		Single MIC-KEY G-Tube only		Fr Size (OD)	Stoma Length	Balloon Volume	Unit of sale
Vygon Code	NHS Supply Chain Code	Vygon Code	NHS Supply Chain Code				
VKC8140-1608	FWM2483	MIC21201608	FWM1162	16Fr	0.8cm	5-10ml	1
VKC8140-1610	FWM2484	MIC21201610	FWM1163		1.0cm		
VKC8140-1612	FWM2485	MIC21201612	FWM1164		1.2cm		
VKC8140-1615	FWM2486	MIC21201615	FWM1165		1.5cm		
VKC8140-1617	FWM2487	MIC21201617	FWM1166		1.7cm		
VKC8140-1620	FWM2488	MIC21201620	FWM1167		2.0cm		
VKC8140-1623	FWM2489	MIC21201623	FWM1168		2.3cm		
VKC8140-1625	FWM2490	MIC21201625	FWM1169		2.5cm		
VKC8140-1627	FWM2491	MIC21201627	FWM1170		2.7cm		
VKC8140-1630	FWM2492	MIC21201630	FWM1171		3.0cm		
VKC8140-1635	FWM2493	MIC21201635	FWM1172		3.5cm		
VKC8140-1640	FWM2494	MIC21201640	FWM1173		4.0cm		
VKC8140-1645	FWM2495	MIC21201645	FWM1174		4.5cm		
VKC8140-1650	FWM2496	MIC21201650	FWM1175		5.0cm		
VKC8140-1808	FWM2497	MIC21201808	FWM1176		18Fr		
VKC8140-1810	FWM2498	MIC21201810	FWM1177	1.0cm			
VKC8140-1812	FWM2499	MIC21201812	FWM1178	1.2cm			
VKC8140-1815	FWM2500	MIC21201815	FWM1179	1.5cm			
VKC8140-1817	FWM2501	MIC21201817	FWM1180	1.7cm			
VKC8140-1820	FWM2502	MIC21201820	FWM1181	2.0cm			
VKC8140-1823	FWM2503	MIC21201823	FWM1182	2.3cm			
VKC8140-1825	FWM2504	MIC21201825	FWM1183	2.5cm			
VKC8140-1827	FWM2505	MIC21201827	FWM1184	2.7cm			
VKC8140-1830	FWM2506	MIC21201830	FWM1185	3.0cm			
VKC8140-1835	FWM2507	MIC21201835	FWM1186	3.5cm			
VKC8140-1840	FWM2508	MIC21201840	FWM1187	4.0cm			
VKC8140-1845	FWM2509	MIC21201845	FWM1188	4.5cm			
VKC8140-1850	FWM2510	MIC21201850	FWM1189	5.0cm			
VKC8140-2008	TBC	MIC21202008	FWM1190	20Fr		0.8cm	5-10ml
VKC8140-2010	FWM2511	MIC21202010	FWM1191		1.0cm		
VKC8140-2012	FWM2512	MIC21202012	FWM1192		1.2cm		
VKC8140-2015	FWM2513	MIC21202015	FWM1193		1.5cm		
VKC8140-2017	FWM2514	MIC21202017	FWM1194		1.7cm		
VKC8140-2020	FWM2515	MIC21202020	FWM1195		2.0cm		
VKC8140-2023	FWM2516	MIC21202023	FWM1196		2.3cm		
VKC8140-2025	FWM2517	MIC21202025	FWM1197		2.5cm		
VKC8140-2027	FWM2518	MIC21202027	FWM1198		2.7cm		
VKC8140-2030	FWM2519	MIC21202030	FWM1199		3.0cm		
VKC8140-2035	FWM2520	MIC21202035	FWM1200		3.5cm		
VKC8140-2040	FWM2521	MIC21202040	FWM1201		4.0cm		
VKC8140-2045	FWM2522	MIC21202045	FWM1202		4.5cm		
VKC8140-2050	FWM2523	MIC21202050	FWM1203		5.0cm		
VKC8140-2415	FWM2524	MIC21202415	FWM1204		24Fr	1.5cm	
VKC8140-2417	FWM2525	MIC21202417	FWM1205	1.7cm			
VKC8140-2420	FWM2526	MIC21202420	FWM1206	2.0cm			
VKC8140-2423	FWM2527	MIC21202423	FWM1207	2.3cm			
VKC8140-2425	FWM2528	MIC21202425	FWM1208	2.5cm			
VKC8140-2427	FWM2529	MIC21202427	FWM1209	2.7cm			
VKC8140-2430	FWM2530	MIC21202430	FWM1210	3.0cm			
VKC8140-2435	FWM2531	MIC21202435	FWM1211	3.5cm			
VKC8140-2440	FWM2532	MIC21202440	FWM1212	4.0cm			
VKC8140-2445	FWM2533	MIC21202445	FWM1213	4.5cm			
VKC8140-2450	FWM2534	MIC21202450	FWM1214	5.0cm			

# MIC-KEY Extension Sets

Introducing our new, unique enteral feeding connector - ENFit™

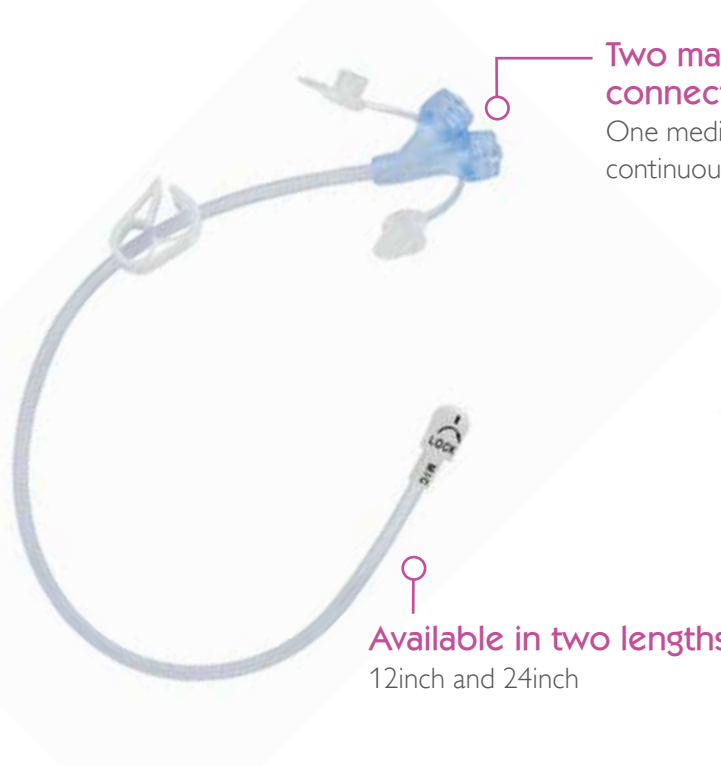
The connectors on the end of MIC-KEY extension sets and non-low profile enteral feeding tubes, syringes, administration sets and enteral accessories have changed.

The intention of the new enteral connection standard called ENFit is to improve safety by preventing the potentially harmful misconnection of enteral delivery systems with other fluid delivery systems used in healthcare.

## ENFit connections affect your MIC-KEY feeding tube extension sets

### MIC-KEY Extension Set Y ENFit Right Angle Features

Product shown: VKC0141-12



#### Two male ENFit connections

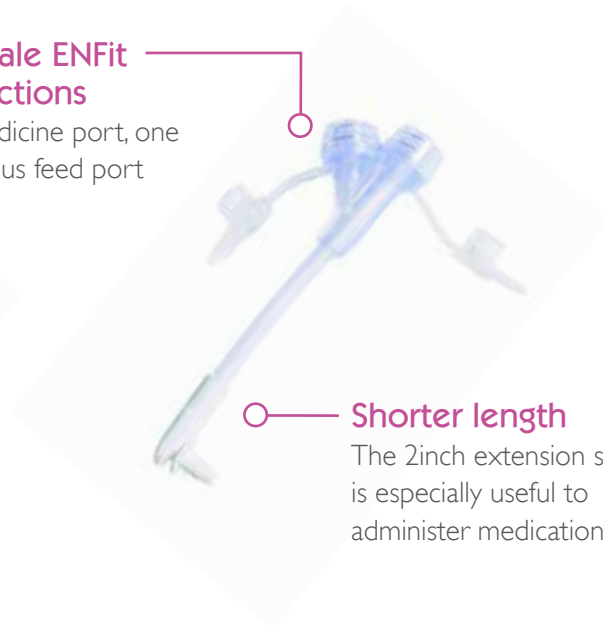
One medicine port, one continuous feed port

#### Available in two lengths

12inch and 24inch

### MIC-KEY Extension Set Y ENFit Right Angle Short

Product shown: VKC0142-02



#### Shorter length

The 2inch extension set is especially useful to administer medication

Vygon Code	NHS Supply Chain Code	Description	Secondary Description	Length	Unit of Sale
VKC0141-12	FWM2730	MIC-KEY Ext SetY ENFit R/A 12inch	SECUR-LOK Right Angled with double ENFit Port with clamp	12inch	5
VKC0141-24	FWM2731	MIC-KEY Ext SetY ENFit R/A 24inch	SECUR-LOK Right Angled with double ENFit Port with clamp	24inch	
VKC0142-02	FWM2732	MIC-KEY Ext SetY ENFit R/A 2inch	SECUR-LOK Right Angled with double ENFit Port without clamp	2inch	

## “Push & Twist” To achieve a secure connection

Only use Halyard Health, MIC-KEY Extension Sets with MIC-KEY G-Tubes, to maintain the warranty on the MIC-KEY G-Tube.



**For continuous feeding:** Attach the ENFit enteral feeding set to the straight port of the MIC-KEY Extension Set by pushing firmly and twisting clockwise.



**For bolus feeding:** Connect the large volume ENFit syringe to the MIC-KEY Extension Set by pushing firmly and twisting clockwise.

### MIC-KEY Extension Set Bolus ENFit Straight Features

Product shown: VKC0143-12

#### Wide bore tubing

Allows hydration or bolus feeding with a female ENFit syringe



Available in two lengths  
12inch and 24inch

### MIC-KEY Extension Set Bolus ENFit Right Angle Features

Product shown: VKC0144-12



Available in two lengths  
12inch and 24inch

Vygon Code	NHS Supply Chain Code	Description	Secondary Description	Length	Unit of Sale
VKC0143-12	FWM2733	MIC-KEY Ext Set Bol ENFit 12inch	SECUR-LOK Straight with single ENFit Port with clamp	12inch	5
VKC0143-24	FWM2734	MIC-KEY Ext Set Bol ENFit 24inch	SECUR-LOK Straight with single ENFit Port with clamp	24inch	
VKC0144-12	TBC	MIC-KEY Ext Set Bol ENFit 12inch	SECUR-LOK Right Angled with single ENFit Port with clamp	12inch	
VKC0144-24	TBC	MIC-KEY Ext Set Bol ENFit 24inch	SECUR-LOK Right Angled with single ENFit Port with clamp	24inch	

# MIC Gastrostomy Bolus and MIC Gastrostomy (MIC G-Tubes) Feeding Tubes

MIC G-Tubes are designed for the delivery of enteral nutrition to the stomach via a primary or pre-existing gastrostomy stoma

## MIC Gastrostomy Bolus Feeding Tube

Product shown: VKC8110-14LV

### Radiopaque stripe

For fluoroscopic visualisation during primary insertion



### Stable external bolster

Prevents tube migration, reduces movement and helps to avoid stoma irritation

## MIC Gastrostomy Feeding Tube

Product shown: VKC8100-14LV

### Clear depth markings

To determine correct tube positioning

### Tapered distal tip

Allows easy atraumatic insertion

### Recessed atraumatic tip

Prevents irritation of the opposite stomach wall and allows the balloon to invert within the shaft of the tube reducing discomfort on removal



## MIC Bolus Gastrostomy & MIC Gastrostomy Feeding Tubes

Vygon Codes	NHS Supply Chain Codes	Description	Fr Size (OD)	Balloon Volume	Unit of issue
VKC8100-12†	TBC	MIC G Tube ENFit 12Fr Double port	12Fr	2-3ml	I
VKC8100-14†	TBC	MIC G Tube ENFit 14Fr Double port	14Fr	3-5ml	
VKC8100-16†	TBC	MIC G Tube ENFit 16Fr Double port	16Fr		
VKC8100-18†	TBC	MIC G Tube ENFit 18Fr Double port	18Fr		
VKC8100-20†	TBC	MIC G Tube ENFit 20Fr Double port	20Fr		
VKC8100-22†	TBC	MIC G Tube ENFit 22Fr Double port	22Fr	7-10ml	
VKC8100-24†	TBC	MIC G Tube ENFit 24Fr Double port	24Fr		
VKC8100-26†	TBC	MIC G Tube ENFit 26Fr Double port	26Fr		
VKC8100-28†	TBC	MIC G Tube ENFit 28Fr Double port	28Fr		
VKC8100-30†	TBC	MIC G Tube ENFit 30Fr Double port	30Fr		
VKC8110-12†	TBC	MIC G Tube Bolus ENFit 12Fr Single port	12Fr		
VKC8110-14†	TBC	MIC G Tube Bolus ENFit 14Fr Single port	14Fr	3-5ml	
VKC8110-16†	TBC	MIC G Tube Bolus ENFit 16Fr Single port	16Fr		
VKC8110-18†	TBC	MIC G Tube Bolus ENFit 18Fr Single port	18Fr	7-10ml	
VKC8110-20†	TBC	MIC G Tube Bolus ENFit 20Fr Single port	20Fr		
VKC8110-22†	TBC	MIC G Tube Bolus ENFit 22Fr Single port	22Fr		
VKC8110-24†	TBC	MIC G Tube Bolus ENFit 24Fr Single port	24Fr		

## MIC Bolus Gastrostomy & MIC Gastrostomy Feeding Tube Kits

Vygon Codes	NHS Supply Chain Codes	Description	Fr Size (OD)	Balloon Volume	Unit of issue
VWJJC8110-12LV†	TBC	MIC GTUBE Bolus ENFit Kit Single 12Fr	12Fr	2-3ml	I
VWJJC8110-14LV†	TBC	MIC GTUBE Bolus ENFit Kit Single 14Fr	14Fr	3-5ml	
VWJJC8110-16LV†	TBC	MIC GTUBE Bolus ENFit Kit Single 16Fr	16Fr		
VWJJC8110-18†	TBC	MIC GTUBE Bolus ENFit Kit Single 18Fr	18Fr	7-10ml	
VWJJC8110-20†	TBC	MIC GTUBE Bolus ENFit Kit Single 20Fr	20Fr		
VWJJC8100-12LV†	TBC	MIC GTUBE Kit Double ENFit 12Fr LV Meds Port	12Fr	2-3ml	
VWJJC8100-14LV†	TBC	MIC GTUBE Kit Double ENFit 14Fr LV Meds Port	14Fr	3-5ml	
VWJJC8100-16LV†	TBC	MIC GTUBE Kit Double ENFit 16Fr LV Meds Port	16Fr		
VWJJC8100-18†	TBC	MIC GTUBE Kit Double ENFit 18Fr Meds Port	18Fr	7-10ml	
VWJJC8100-20†	TBC	MIC GTUBE Kit Double ENFit 20Fr Meds Port	20Fr		

## Balloon Gastrostomy Replacement Pack

Facilitates the exchange of balloon retained gastrostomy tubes

Vygon Code	NHS Supply Chain Code	Description	Unit of Sale
080199521	FWM1497	Balloon Gastrostomy Replacement Pack	40



Please note, the MIC G-tube is only available to purchase alongside a MIC Introducer Kit and is not available to purchase separately from Vygon.

† For the latest information on the ENFit transition, please visit [www.bit.ly/VygonENFit](http://www.bit.ly/VygonENFit)

# MIC Gastro-Jejunal and MIC-KEY Gastro-Jejunal Feeding Tubes

MIC & MIC-KEY Gastro-Jejunal feeding tubes are designed for the delivery of enteral nutrition to the small bowel via a primary or pre-existing gastrostomy stoma, allowing simultaneous gastric decompression

## MIC Gastro-Jejunal Feeding Tube

Product shown: MIC650-16

### Reduced blockages and improved flow

Larger lumen than standard available PEG-J tubes. Multiple large oppositional exit ports

Approved for more than 30 days use!

Suitable for adults and children!

### Ensures the continuation of tube feeds

The tube stays in position thanks to the tungsten weighting with high columnar strength

### Ease of placement

Large inner jejunal diameter and distal opening facilitates Seldinger placement (up to 0.038inch guidewire)  
Tapered distal tip and transition from balloon to tubing without funnel shape allows an easy insertion

### Convenient position confirmation

Radiopaque line and positioning depth markers

## MIC GJ Kit Contents

- 1 x MIC Gastro-Jejunal feeding tube
- 1 x Silicone coated guidewire



## MIC & MIC-KEY Introducer Kit

For initial endoscopic, fluoroscopic or laparoscopic placement

- One-step procedure preventing a second procedure
- Start jejunal feeding immediately

**Insertion Tip:** When placing over a wire, use a super-stiff, slippery guidewire. Prior to insertion, pre-lubricate the feeding tube internal lumen by filling with aqueous slurry solution (Nine parts aqueous lubricant, one part water mixed) to aid guidewire passage.



More information on page 14

## Indications for adults:<sup>1</sup>

- Delayed gastric emptying
- Gastric outlet obstruction: e.g. inflammation, tumour, stricture
- Absence of gastric motility: e.g. heavy stress, diabetes gastroparesis
- Pancreatic disease
- Recurrent aspiration pneumonia.

## Indications for children:<sup>2</sup>

- Gastroesophageal reflux disease
- Delayed gastric emptying
- Antropyloric dysmotility.

## MIC GJ Feeding Tube

Non-ENFit™		ENFit		Fr Size (OD)	Jejunal Length (cm)	Balloon Volume	Unit of sale		
Vygon Code	NHS Supply Chain Code	Vygon Code	NHS Supply Chain Code						
MIC650.16.15	N/A	VKC8650-16-15	TBC	16Fr	15	7-10ml	1		
MIC650.16.22	N/A	VKC8650-16-22	TBC		22				
MIC650.16.30	N/A	VKC8650-16-30	TBC		30				
MIC650.16	FWM453	VKC8650-16	TBC		45				
MIC650.18.22	N/A	VKC8650-18-22	TBC	18Fr	22			7-10ml	1
MIC650.18.30	N/A	VKC8650-18-30	TBC		30				
MIC650.18	N/A	VKC8650-18	TBC		45				
MIC650.22	FWM1347	VKC8650-22	TBC	22Fr					

Also available in a low-profile version

See overleaf for more information



<sup>1</sup> Westaby D. et al.: The provision of a percutaneously placed enteral tube feeding service. Gut, 2010, vol. 59, pp. 1592-1605.  
<sup>2</sup> Michaud L. et al.: One-Step percutaneous Gastrojejunostomy in early infancy, JPGN, vol. 54, 2012, pp. 820- 821.

# MIC-KEY Gastro-Jejunal Feeding Tube

Product shown: VKC8270-14

## Ease of use for patient

Gastric and Jejunal port have both the same SECUR-LOK connection as the standard MIC-KEY Extension sets



# MIC-KEY GJ Kit Contents

- 1 x MIC-KEY GJ-tube
- 1 x Introducer cannula
- 1 x MIC-KEY Standard Extension Set with SECUR-LOK right angle connector and 2 ENFit feeding connectors with closure cap and clamp – 12inch/30cm length
- 1 x MIC-KEY Bolus Extension Set with ENFit feeding connector, SECUR-LOK Straight Connector and Clamp – 12inch/30cm length
- 1 x 6ml Luer-slip syringe
- 1 x 35ml female ENFit syringe
- 4 x Gauze pads



Vygon Code	NHS Supply Chain Code	Description	Size Fr (OD)	Jejunal Length (cm)	Stoma Length (cm)	Balloon Volume	Unit of Sale
VKC8270-141015	TBC	MIC-KEY GJ ENFit 14Fr 1.0 15cm	14	15	1	3-5ml	1
VKC8270-141022	TBC	MIC-KEY GJ ENFit 14Fr 1.0 22cm		22			
VKC8270-141215	TBC	MIC-KEY GJ ENFit 14Fr 1.2 15cm		15	1.2		
VKC8270-141222	TBC	MIC-KEY GJ ENFit 14Fr 1.2 22cm		22			
VKC8270-141230	TBC	MIC-KEY GJ ENFit 14Fr 1.2 30cm		30	1.5		
VKC8270-141515	TBC	MIC-KEY GJ ENFit 14Fr 1.5 15cm		15			
VKC8270-141522	TBC	MIC-KEY GJ ENFit 14Fr 1.5 22cm		22			
VKC8270-141530	TBC	MIC-KEY GJ ENFit 14Fr 1.5 30cm		30	1.7		
VKC8270-141545	TBC	MIC-KEY GJ ENFit 14Fr 1.5 45cm		45			
VKC8270-141722	TBC	MIC-KEY GJ ENFit 14Fr 1.7 22cm		22	2		
VKC8270-141730	TBC	MIC-KEY GJ ENFit 14Fr 1.7 30cm		30			
VKC8270-141745	TBC	MIC-KEY GJ ENFit 14Fr 1.7 45cm		45	2.3		
VKC8270-142022	TBC	MIC-KEY GJ ENFit 14Fr 2.0 22cm		22			
VKC8270-142030	TBC	MIC-KEY GJ ENFit 14Fr 2.0 30cm		30	2.5		
VKC8270-142045	TBC	MIC-KEY GJ ENFit 14Fr 2.0 45cm		45			
VKC8270-142330	TBC	MIC-KEY GJ ENFit 14Fr 2.3 30cm		30	2.7		
VKC8270-142345	TBC	MIC-KEY GJ ENFit 14Fr 2.3 45cm		45			
VKC8270-142530	TBC	MIC-KEY GJ ENFit 14Fr 2.5 30cm		30	3		
VKC8270-142545	TBC	MIC-KEY GJ ENFit 14Fr 2.5 45cm		45			
VKC8270-142730	TBC	MIC-KEY GJ ENFit 14Fr 2.7 30cm		30	3.5		
VKC8270-142745	TBC	MIC-KEY GJ ENFit 14Fr 2.7 45cm		45			
VKC8270-143045	TBC	MIC-KEY GJ ENFit 14Fr 3.0 45cm		45			
VKC8270-143545	TBC	MIC-KEY GJ ENFit 14Fr 3.5 45cm		45			

Vygon Code	NHS Supply Chain Code	Description	Size Fr (OD)	Jejunal Length (cm)	Stoma Length (cm)	Balloon Volume	Unit of Sale		
VKC8270-161015	TBC	MIC-KEY GJ ENFit 16Fr 1.0 15cm	16	15	1	3-5ml	1		
VKC8270-161022	TBC	MIC-KEY GJ ENFit 16Fr 1.0 22cm		22					
VKC8270-161215	TBC	MIC-KEY GJ ENFit 16Fr 1.2 15cm		15	1.2				
VKC8270-161222	TBC	MIC-KEY GJ ENFit 16Fr 1.2 22cm		22					
VKC8270-161230	TBC	MIC-KEY GJ ENFit 16Fr 1.2 30cm		30	1.5				
VKC8270-161515	TBC	MIC-KEY GJ ENFit 16Fr 1.5 15cm		15					
VKC8270-161522	TBC	MIC-KEY GJ ENFit 16Fr 1.5 22cm		22					
VKC8270-161530	TBC	MIC-KEY GJ ENFit 16Fr 1.5 30cm		30	1.7				
VKC8270-161715	TBC	MIC-KEY GJ ENFit 16Fr 1.7 15cm		15					
VKC8270-161722	TBC	MIC-KEY GJ ENFit 16Fr 1.7 22cm		22					
VKC8270-161730	TBC	MIC-KEY GJ ENFit 16Fr 1.7 30cm		30	2				
VKC8270-161745	TBC	MIC-KEY GJ ENFit 16Fr 1.7 45cm		45		7-10ml			
VKC8270-162022	TBC	MIC-KEY GJ ENFit 16Fr 2.0 22cm		22	2.3				
VKC8270-162030	TBC	MIC-KEY GJ ENFit 16Fr 2.0 30cm		30		3-5ml			
VKC8270-162045	TBC	MIC-KEY GJ ENFit 16Fr 2.0 45cm		45	7-10ml				
VKC8270-162330	TBC	MIC-KEY GJ ENFit 16Fr 2.3 30cm		30	2.5				
VKC8270-162345	TBC	MIC-KEY GJ ENFit 16Fr 2.3 45cm		45		3-5ml			
VKC8270-162530	TBC	MIC-KEY GJ ENFit 16Fr 2.5 30cm		30	2.7				
VKC8270-162545	TBC	MIC-KEY GJ ENFit 16Fr 2.5 45cm		45		7-10ml			
VKC8270-162730	TBC	MIC-KEY GJ ENFit 16Fr 2.7 30cm		30	3				
VKC8270-162745	TBC	MIC-KEY GJ ENFit 16Fr 2.7 45cm		45		3-5ml			
VKC8270-163045	TBC	MIC-KEY GJ ENFit 16Fr 3.0 45cm		45	7-10ml				
VKC8270-163545	TBC	MIC-KEY GJ ENFit 16Fr 3.5 45cm		45	3.5				
VKC8270-181222	TBC	MIC-KEY GJ ENFit 18Fr 1.2 22cm		18	22	1.2		3-5ml	1
VKC8270-181230	TBC	MIC-KEY GJ ENFit 18Fr 1.2 30cm			30				
VKC8270-181522	TBC	MIC-KEY GJ ENFit 18Fr 1.5 22cm			22	1.5			
VKC8270-181530	TBC	MIC-KEY GJ ENFit 18Fr 1.5 30cm			30				
VKC8270-181545	TBC	MIC-KEY GJ ENFit 18Fr 1.5 45cm			45	1.7			
VKC8270-181722	TBC	MIC-KEY GJ ENFit 18Fr 1.7 22cm	22		3-5ml				
VKC8270-181730	TBC	MIC-KEY GJ ENFit 18Fr 1.7 30cm	30		2				
VKC8270-181745	TBC	MIC-KEY GJ ENFit 18Fr 1.7 45cm	45			7-10ml			
VKC8270-182022	TBC	MIC-KEY GJ ENFit 18Fr 2.0 22cm	22		2.3				
VKC8270-182030	TBC	MIC-KEY GJ ENFit 18Fr 2.0 30cm	30			3-5ml			
VKC8270-182045	TBC	MIC-KEY GJ ENFit 18Fr 2.0 45cm	45		7-10ml				
VKC8270-182330	TBC	MIC-KEY GJ ENFit 18Fr 2.3 30cm	30		2.5				
VKC8270-182345	TBC	MIC-KEY GJ ENFit 18Fr 2.3 45cm	45			3-5ml			
VKC8270-182530	TBC	MIC-KEY GJ ENFit 18Fr 2.5 30cm	30		2.7				
VKC8270-182545	TBC	MIC-KEY GJ ENFit 18Fr 2.5 45cm	45			7-10ml			
VKC8270-182730	TBC	MIC-KEY GJ ENFit 18Fr 2.7 30cm	30		3				
VKC8270-182745	TBC	MIC-KEY GJ ENFit 18Fr 2.7 45cm	45			3-5ml			
VKC8270-183045	TBC	MIC-KEY GJ ENFit 18Fr 3.0 45cm	45		3.5				
VKC8270-183545	TBC	MIC-KEY GJ ENFit 18Fr 3.5 45cm	45			7-10ml			
VKC8270-221545	TBC	MIC-KEY GJ ENFit 22Fr 1.5 45cm	22		45	1.5	7-10ml	1	
VKC8270-221745	TBC	MIC-KEY GJ ENFit 22Fr 1.7 45cm				1.7			
VKC8270-222045	TBC	MIC-KEY GJ ENFit 22Fr 2.0 45cm				2			
VKC8270-222345	TBC	MIC-KEY GJ ENFit 22Fr 2.3 45cm				2.3			
VKC8270-222545	TBC	MIC-KEY GJ ENFit 22Fr 2.5 45cm				2.5			
VKC8270-222745	TBC	MIC-KEY GJ ENFit 22Fr 2.7 45cm				2.7			
VKC8270-223045	TBC	MIC-KEY GJ ENFit 22Fr 3.0 45cm				3			
VKC8270-223545	TBC	MIC-KEY GJ ENFit 22Fr 3.5 45cm				3.5			

# MIC & MIC-KEY Transgastric Jejunal (TJ) Feeding Tubes

MIC & MIC-KEY Transgastric Jejunal feeding tubes are designed for the delivery of enteral nutrition to the small bowel via a primary or pre-existing gastrostomy stoma

## Reduces blockages and improved flow

Larger lumen than standard PEGJ tubes. *Specific To MIC TJ*

## Available in 14Fr and 18Fr sizes

For primary insertion using MIC-KEY Introducer Kit or via an existing stoma in children and smaller adults. *Specific to MIC TJ*

## Accurate fit

Wide range of French gauge sizes and stoma lengths

## Trimnable length

Trimnable jejunal length to achieve desirable tube position



### MIC TJ

Product shown: VKC8200  
Available from 12-22Fr

### MIC-KEY TJ

Product shown: VKC8230  
Available in 14Fr & 18Fr

## Low Profile option

The low profile MIC-KEY TJ Tube is discreet and comfortable (clearly labelled Jejunal to differentiate from MIC-KEY G Feeding tubes)



## Introducer cannula

Used to protect the anti-reflux valve when using guidewire placement. *Specific To MIC-KEY TJ*

## MIC TJ Kit Contents

1 x MICTJ Feeding tube

## MIC-KEY TJ Kit Contents

1 x MIC-KEY TJ-tube

1 x Introducer cannula

1 x MIC-KEY Standard Extension Set with SECUR-LOK right angle connector and 2 ENFit feeding connectors with closure cap and clamp – 12inch/30cm length

1 x MIC-KEY Bolus Extension Set with ENFit feeding connector, SECUR-LOK Straight Connector and Clamp – 12inch/30cm length

1 x 6ml Luer-slip syringe

1 x 35ml female ENFit syringe

4 x Gauze pads

## MIC TJ Feeding Tube

Vygon Code	NHS Supply Chain Code	Description	Size Fr (OD)	Jejunal Length	Balloon Volume	Unit of Sale
VKC8200-12†	TBC	MICTJ ENFit 12Fr	12	Trimmable	2-3ml	2
VKC8200-14†	TBC	MICTJ ENFit 14 Fr	14			
VKC8200-16†	TBC	MICTJ ENFit 16Fr	16			
VKC8200-18†	TBC	MICTJ ENFit 18Fr	18			
VKC8200-20†	TBC	MICTJ ENFit 20Fr	20			
VKC8200-22†	TBC	MICTJ ENFit 22Fr	22			

## MIC-KEY TJ Feeding Tube

Vygon Code	NHS Supply Chain Code	Description	Size Fr (OD)	Jejunal Length	Balloon Volume	Unit of Sale
VKC8230-1408	FWM2540	MIC-KEY TJ ENFit 14Fr 0.8cm	14	Trimmable	5-10ml	1
VKC8230-1410	FWM2541	MIC-KEY TJ ENFit 14Fr 1.0cm				
VKC8230-1412	FWM2542	MIC-KEY TJ ENFit 14Fr 1.2cm				
VKC8230-1415	FWM2543	MIC-KEY TJ ENFit 14Fr 1.5cm				
VKC8230-1417	FWM2544	MIC-KEY TJ ENFit 14Fr 1.7cm				
VKC8230-1420	FWM2545	MIC-KEY TJ ENFit 14Fr 2.0cm				
VKC8230-1423	FWM2546	MIC-KEY TJ ENFit 14Fr 2.3cm				
VKC8230-1425	FWM2547	MIC-KEY TJ ENFit 14Fr 2.5cm				
VKC8230-1427	FWM2548	MIC-KEY TJ ENFit 14Fr 2.7cm				
VKC8230-1430	FWM2549	MIC-KEY TJ ENFit 14Fr 3.0cm				
VKC8230-1435	FWM2550	MIC-KEY TJ ENFit 14Fr 3.5cm				
VKC8230-1440	FWM2551	MIC-KEY TJ ENFit 14Fr 4.0cm				
VKC8230-1445	FWM2552	MIC-KEY TJ ENFit 14Fr 4.5cm				
VKC8230-1808	TBC	MIC-KEY TJ ENFit 18Fr 0.8cm				
VKC8230-1810	TBC	MIC-KEY TJ ENFit 18Fr 1.0cm				
VKC8230-1812	TBC	MIC-KEY TJ ENFit 18Fr 1.2cm				
VKC8230-1815	TBC	MIC-KEY TJ ENFit 18Fr 1.5cm				
VKC8230-1817	TBC	MIC-KEY TJ ENFit 18Fr 1.7cm				
VKC8230-1820	FWM2553	MIC-KEY TJ ENFit 18Fr 2.0cm				
VKC8230-1823	TBC	MIC-KEY TJ ENFit 18Fr 2.3cm				
VKC8230-1825	FWM2554	MIC-KEY TJ ENFit 18Fr 2.5cm				
VKC8230-1827	TBC	MIC-KEY TJ ENFit 18Fr 2.7cm				
VKC8230-1830	FWM2555	MIC-KEY TJ ENFit 18Fr 3.0cm				
VKC8230-1835	FWM2556	MIC-KEY TJ ENFit 18Fr 3.5cm				
VKC8230-1840	FWM2557	MIC-KEY TJ ENFit 18Fr 4.0cm				
VKC8230-1845	TBC	MIC-KEY TJ ENFit 18Fr 4.5cm				

† For the latest information on the ENFit transition, please visit [www.bit.ly/VygonENFit](http://www.bit.ly/VygonENFit)

# MIC Surgical Jejunostomy Feeding Tube

The MIC Jejunostomy Feeding Tube is surgically placed directly into the small bowel ensuring secure placement and minimising leakages

## The existing problem

To guarantee the best possible patient experience, direct access jejunostomy feeding tubes should deliver secure and trouble-free feeding. However, typical tube designs can lead to a number of problems including:

- A risk of infection and discomfort to the patient due to permanent suture fixation to the skin
- Interruptions to a patient's feeding regimen caused by blockages to the long, narrow lumen
- Tube migration and displacement because of inadequate tube fixation.

This means that troubleshooting and further intervention is often necessary, placing an additional burden on the healthcare system and avoidable distress and discomfort for the patient.

The MIC Surgical Jejunostomy Feeding Tube is designed to ensure the **best possible outcome** for the patient and their carers as well as **clinical performance** for the surgeon placing the device.

Placement can be made via mini-laparotomy or general open surgery. The tube can be used within 24-48 hours post-insertion.

## Our solution

Shorter in length and larger in internal diameter than other surgical jejunostomy tubes, the MIC Surgical Jejunostomy Feeding Tube is designed to avoid mechanical complications, offering improved reliability.

Effective securement via a Dacron cuff provides unrivalled resistance to accidental displacement, reduced risk of infection and improved patient comfort vs. suture fixation.

Improved reliability and effective securement mean fewer corrective interventions and economic burden on the healthcare system, whilst providing peace of mind, confidence and an improved experience for the patient.

## Indications

Indications for using the MIC Surgical Jejunostomy Feeding Tube for enteral feeding are wide and varied for patients unable to receive nutrition by mouth.

It can be used for cancer patients suffering from head and neck pathologies. The rigorous programmes of chemotherapy and/or radiation therapy and can lead to anorexia, nausea, pharyngitis, oesophagitis, etc., which can further impact a patient's compromised ability to eat.

In some cases, patients may have surgery as a treatment for disease, leaving them physically incapable of eating, chewing or swallowing.

Patients with neuromuscular or motor disorders limiting their ability to eat or swallow may also benefit from the MIC Surgical Jejunostomy Feeding Tube.



### MIC PEG adaptor ENFit 14Fr

To facilitate the connection of ENFit devices onto the MIC Jejunostomy Tube

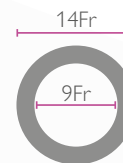
Code:VKC8135-14

### 14Fr external diameter

Avoids obstruction of the jejunal lumen

### Reduced blockages

9Fr internal diameter and short overall tube length ensures optimal uninterrupted continuous feeding



### Extroducer

Facilitates insertion during open surgery or laparoscopic surgery

### Unrivalled securement

Dacron® cuff binds reliably into subcutaneous tissues ensuring continuous performance and peace of mind

### Reduced risk of infection

Subcutaneous cuff means there is no need for long-term suture securement

### No tube migration

Short intrajejunal length avoids coiling, kinking and knotting

## MIC Surgical Jejunostomy Feeding Tube

Vygon Code	NHS Supply Chain Code	Description	Size Fr (OD/ID)	Unit of Sale
MIC301-14	FWM429	MIC Surgical Jejunostomy Feeding Tube	14 - 9	2
MIC301-50	FWM1238	Jejunostomy repair kit – includes silicone medical adhesive, stent, syringe, blunt tip needle, suture, silicone overcollar	N/A	1
MIC301-60	TBC	Jejunostomy feeding port adaptor	N/A	5
VKC8135-14	TBC	MIC PEG adaptor ENFit 14Fr <i>To facilitate the connection of ENFit devices onto the MIC Jejunostomy Tube</i>	N/A	5



MIC301-50



MIC301-60



VKC8135-14



OVEACC416

**For further information, please contact: [vygon@vygon.co.uk](mailto:vygon@vygon.co.uk)**

The specifications shown in this leaflet are for information only and are not, under any circumstances, of a contractual nature.

---

Vygon (UK) Ltd, The Pierre Simonet Building, V Park, Gateway North,  
Latham Road, Swindon, Wiltshire SN25 4DL

Tel: 01793 748800 Fax: 01793 748899 Email: [vygon@vygon.co.uk](mailto:vygon@vygon.co.uk)

[vygon.co.uk](http://vygon.co.uk) [@vygonuk](https://twitter.com/vygonuk) [in](https://www.linkedin.com/company/vygonuk) vygonuk [v](https://www.youtube.com/channel/UCvYgONkUgQvYgONkUgQvYgONk) vygonuk [i](https://www.instagram.com/vygonuk) vygonuk

Copyright Vygon (UK) Ltd 2018 Content correct as of: 09/2018 Code: DXJB0061001 v5



Value Life